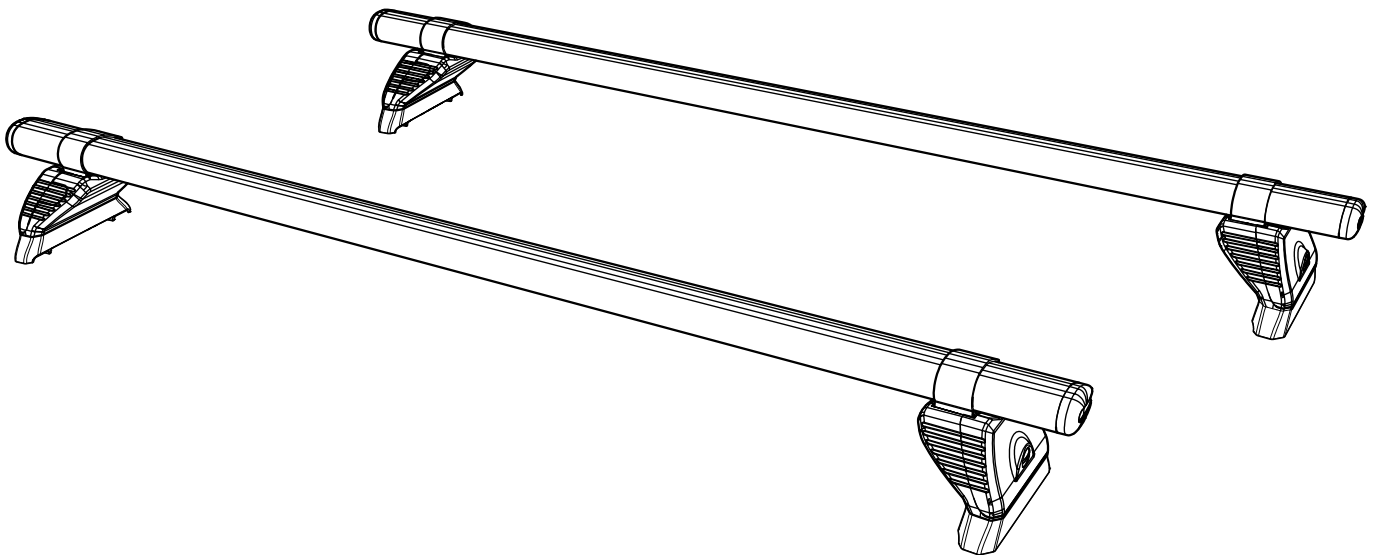


TB2PR/FL

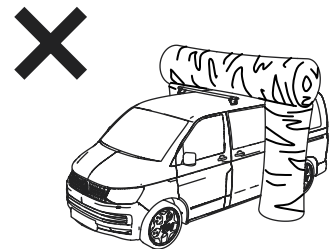
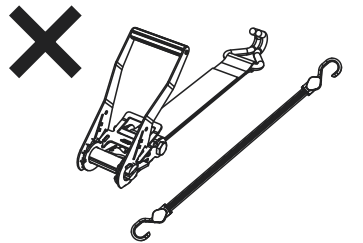
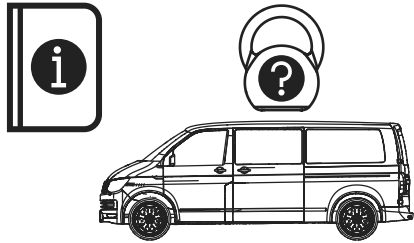
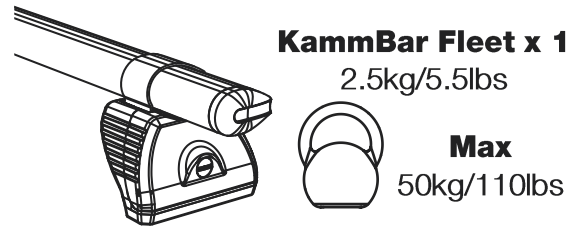
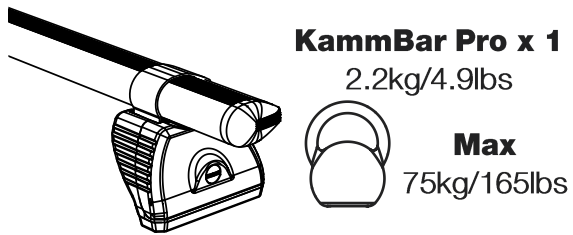
KammBar

Instructions

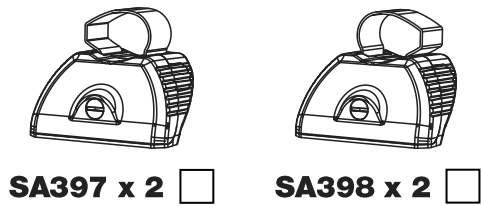
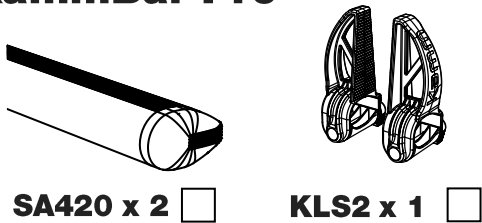


CITY CRASH (✓)

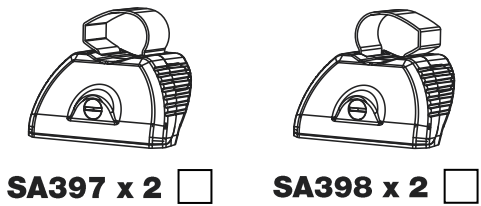
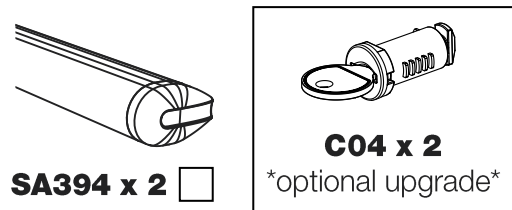
According to ISO/ PAS 11154:2006



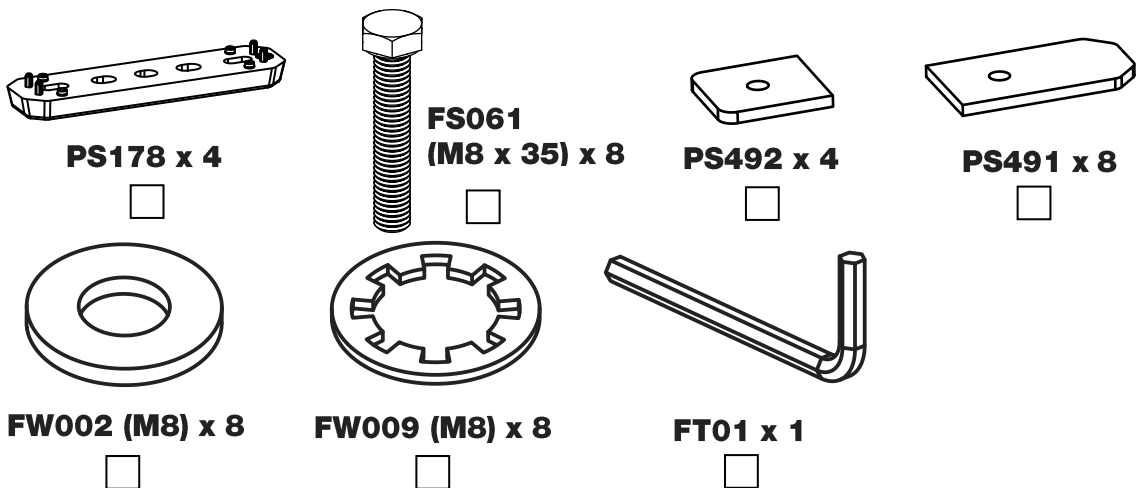
KammBar Pro



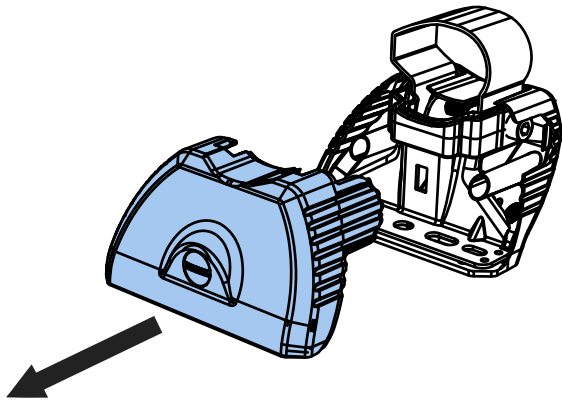
KammBar Fleet



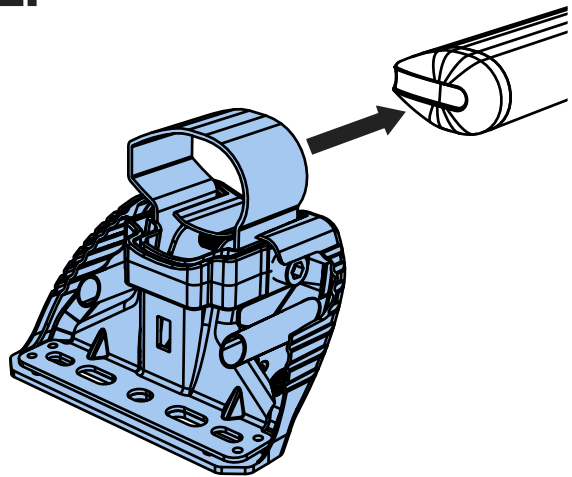
Fitting Kit



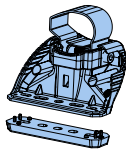
1.



2.

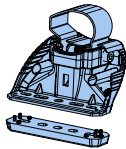
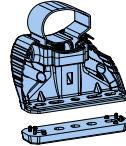


3.



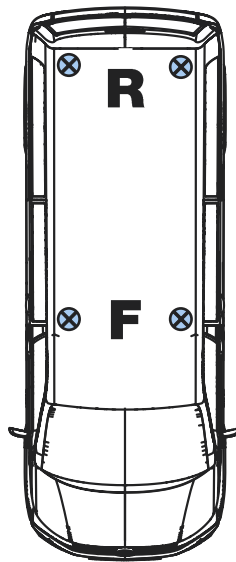
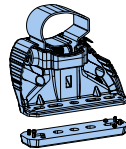
SA397
PS178

SA398
PS178

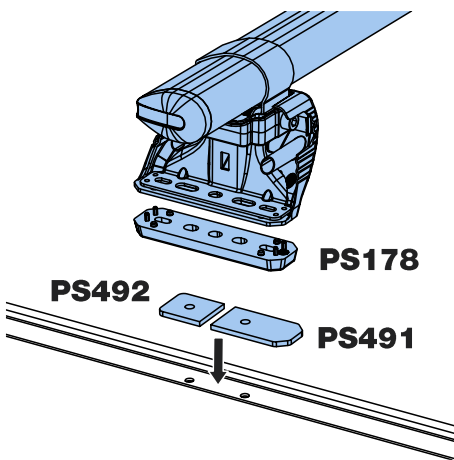


SA397
PS178

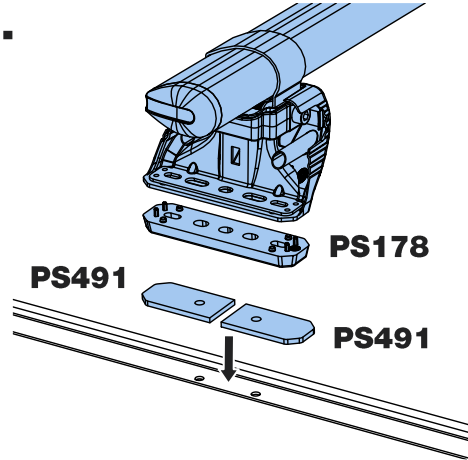
SA398
PS178



4a.



4b.



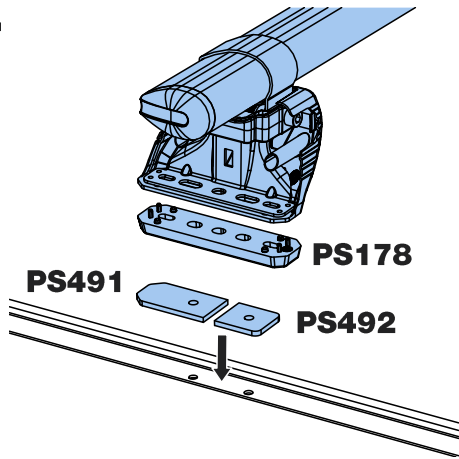
! FORD TRANSIT
CUSTOM 2012-2023

R

! FORD TRANSIT
CUSTOM 2023-

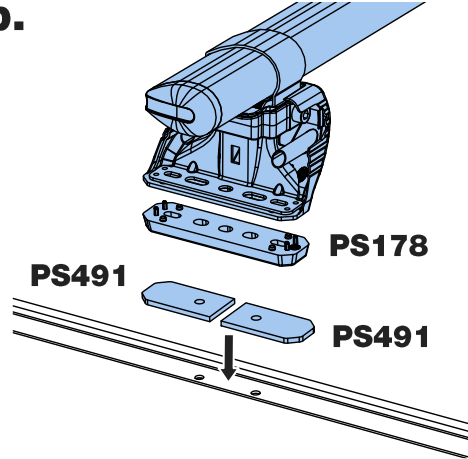
R

5a.



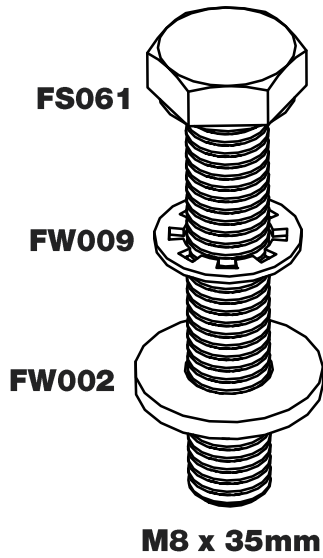
! FORD TRANSIT
CUSTOM 2012-2023 **F**

5b.

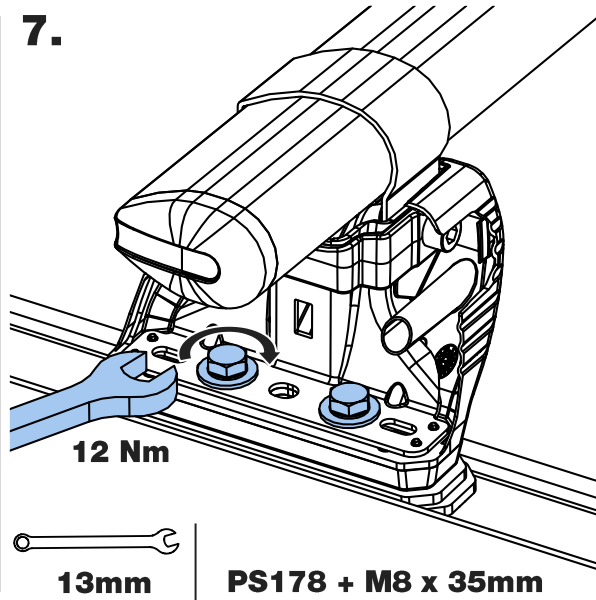


! FORD TRANSIT
CUSTOM 2023- **F**

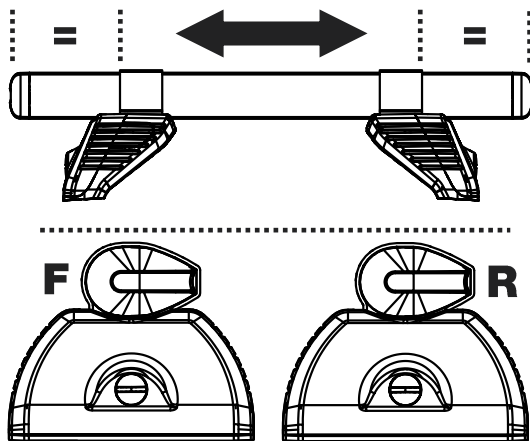
6.



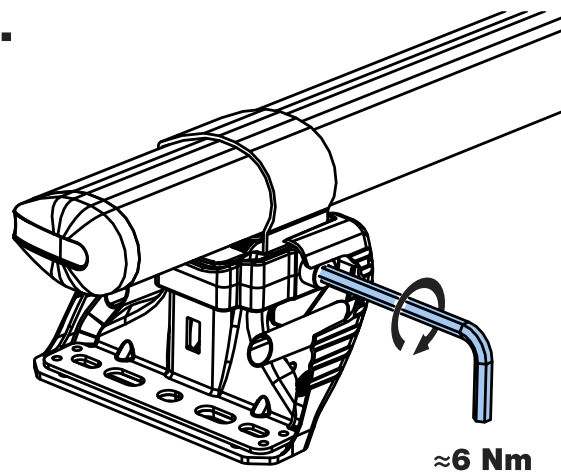
7.



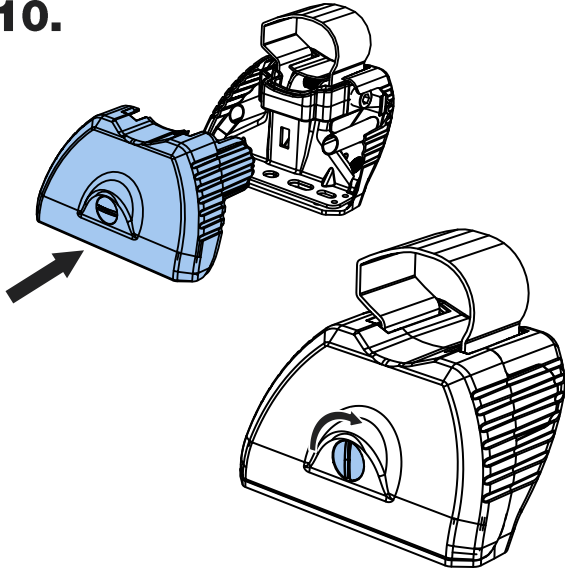
8.



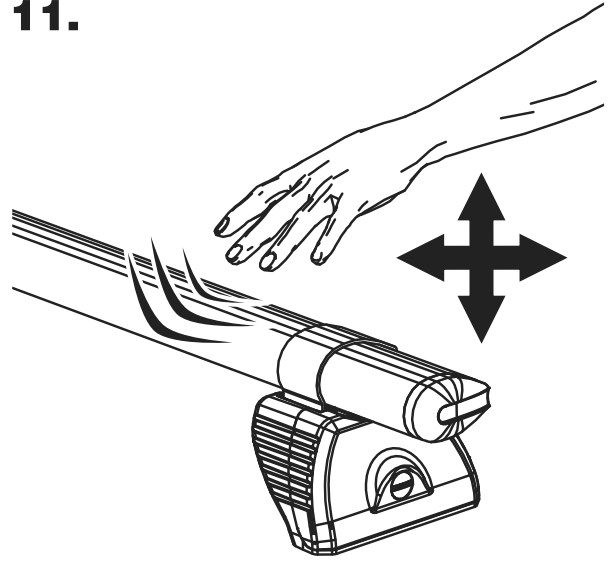
9.



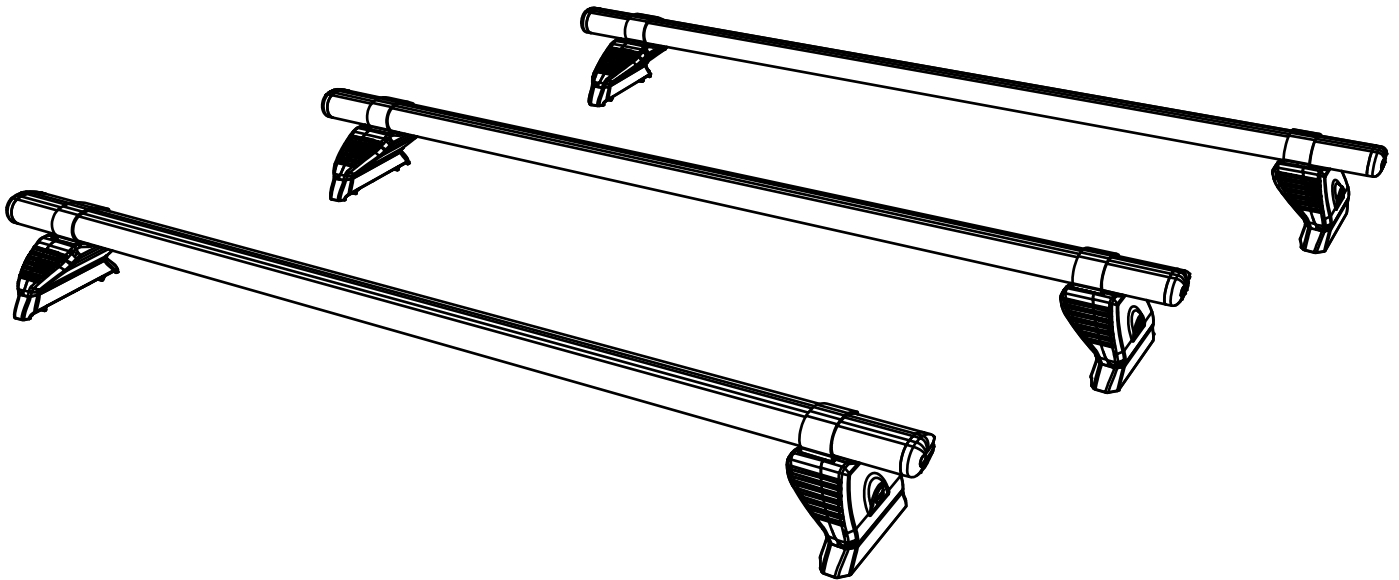
10.



11.

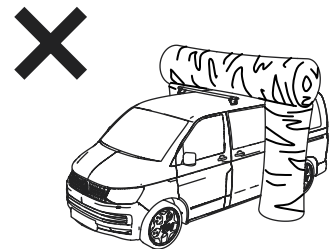
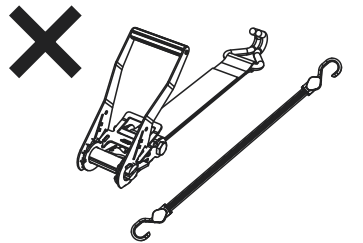
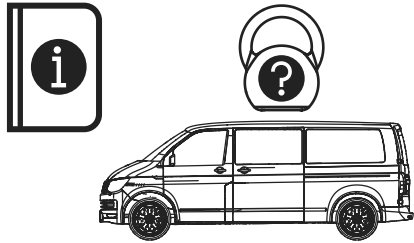
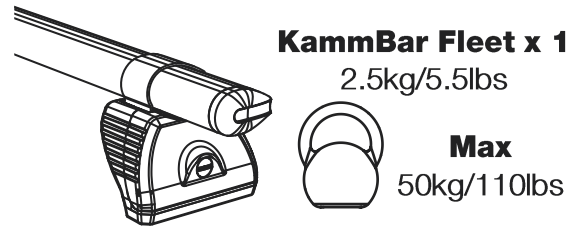


TB3PR/FL KammBar Instructions

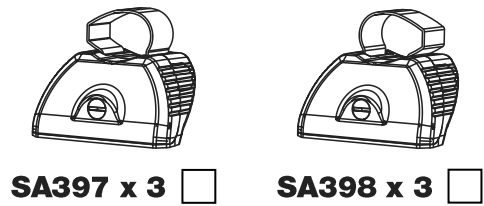
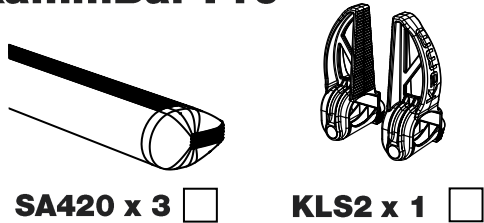


CITY CRASH (✓)

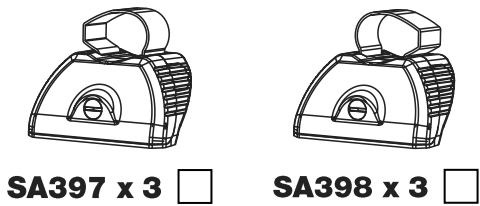
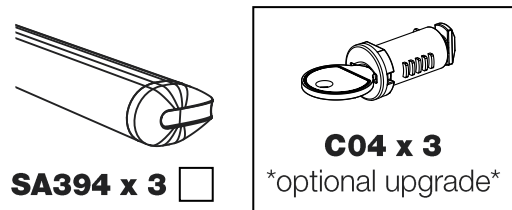
According to ISO/ PAS 11154:2006



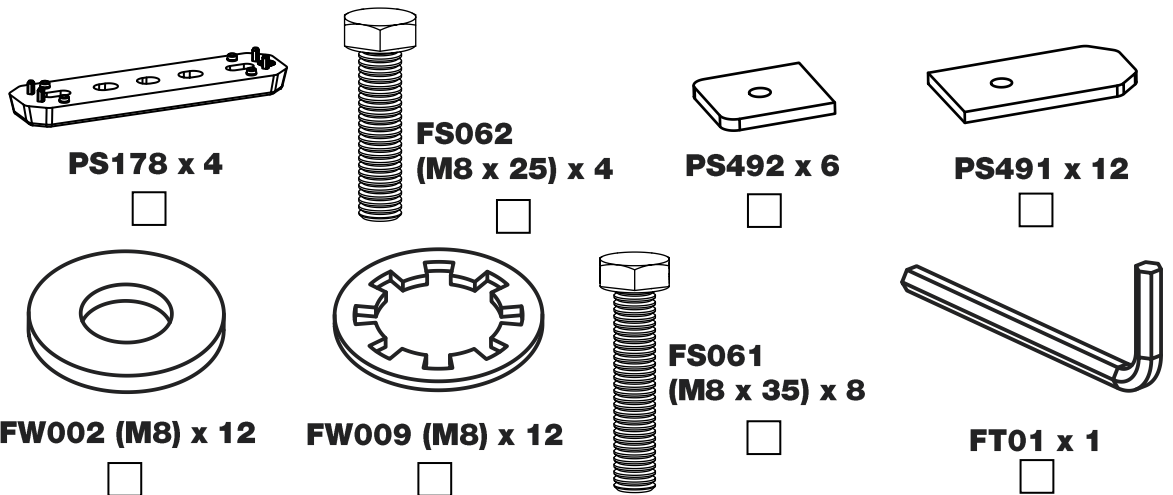
KammBar Pro



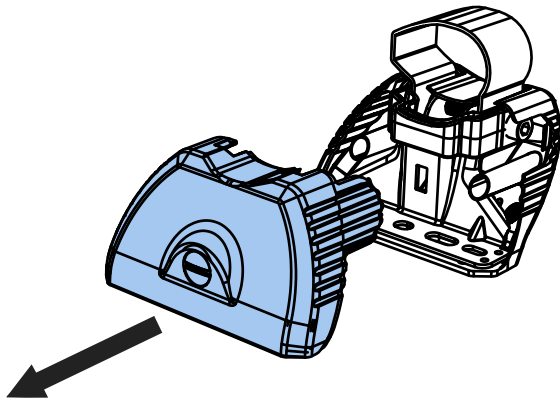
KammBar Fleet



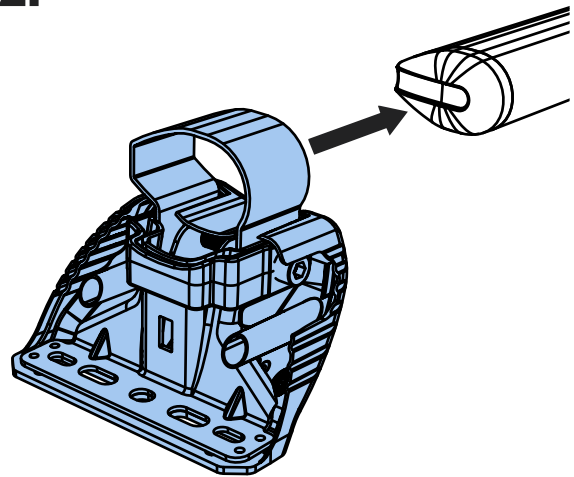
Fitting Kit



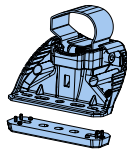
1.



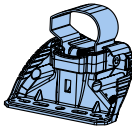
2.



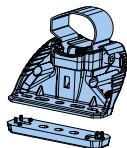
3.



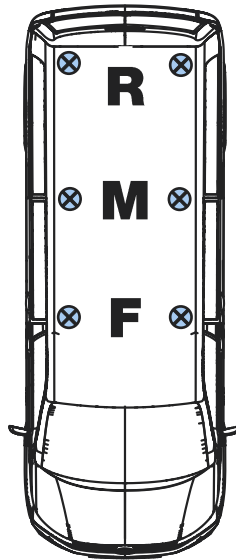
SA397
PS178



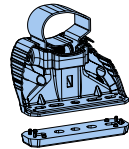
SA397



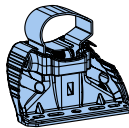
SA397
PS178



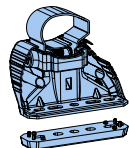
SA398
PS178



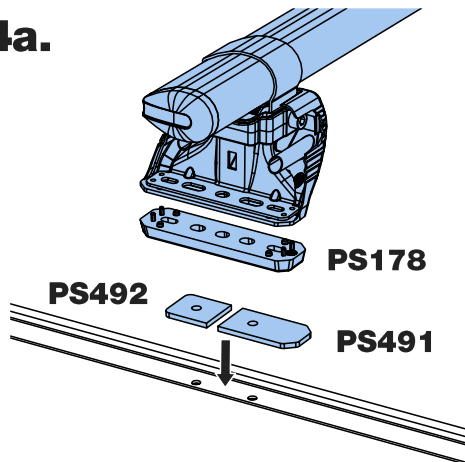
SA398



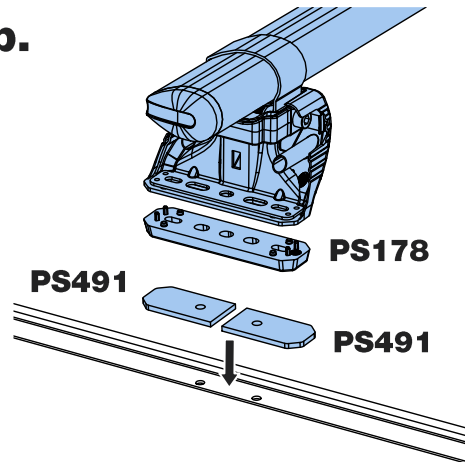
SA398
PS178



4a.



4b.



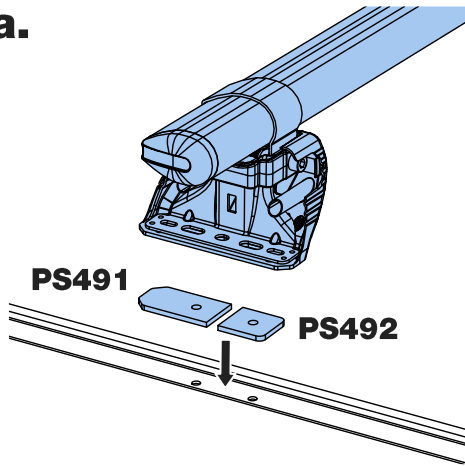
! FORD TRANSIT
CUSTOM 2012-2023

R

! FORD TRANSIT
CUSTOM 2023-

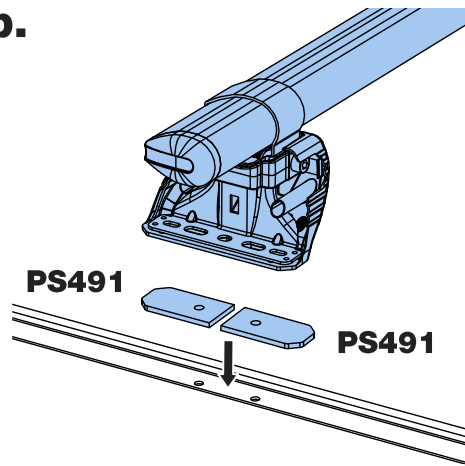
R

5a.



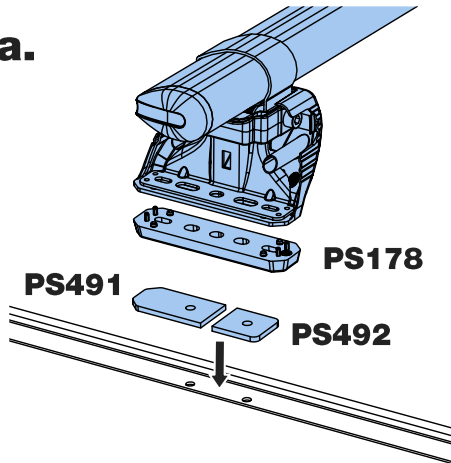
**! FORD TRANSIT
CUSTOM 2012-2023** **M**

5b.



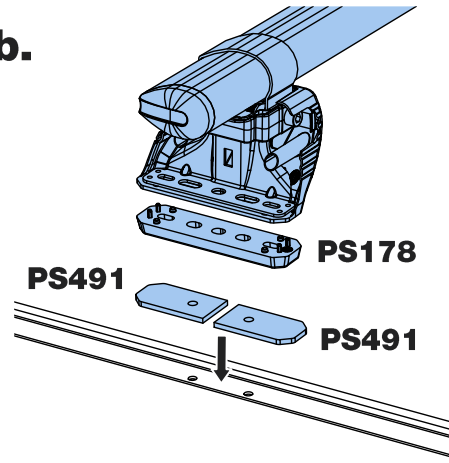
**! FORD TRANSIT
CUSTOM 2023-** **M**

6a.



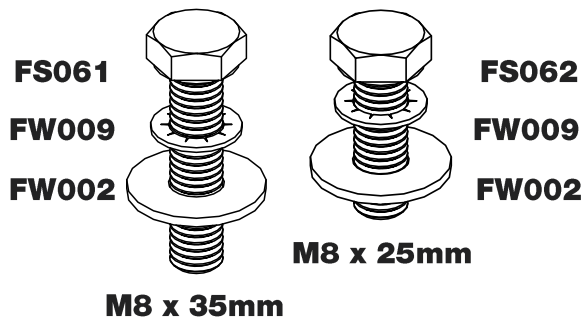
**! FORD TRANSIT
CUSTOM 2012-2023** **F**

6b.

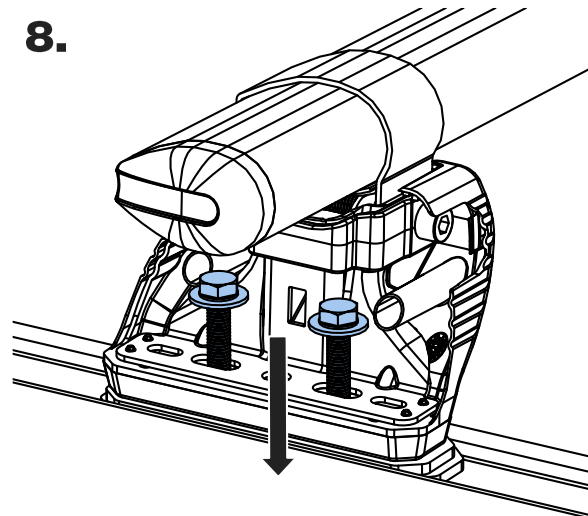


**! FORD TRANSIT
CUSTOM 2023-** **F**

7.



8.



F/R - PS178 + M8 x 35mm
M - M8 x 25mm

