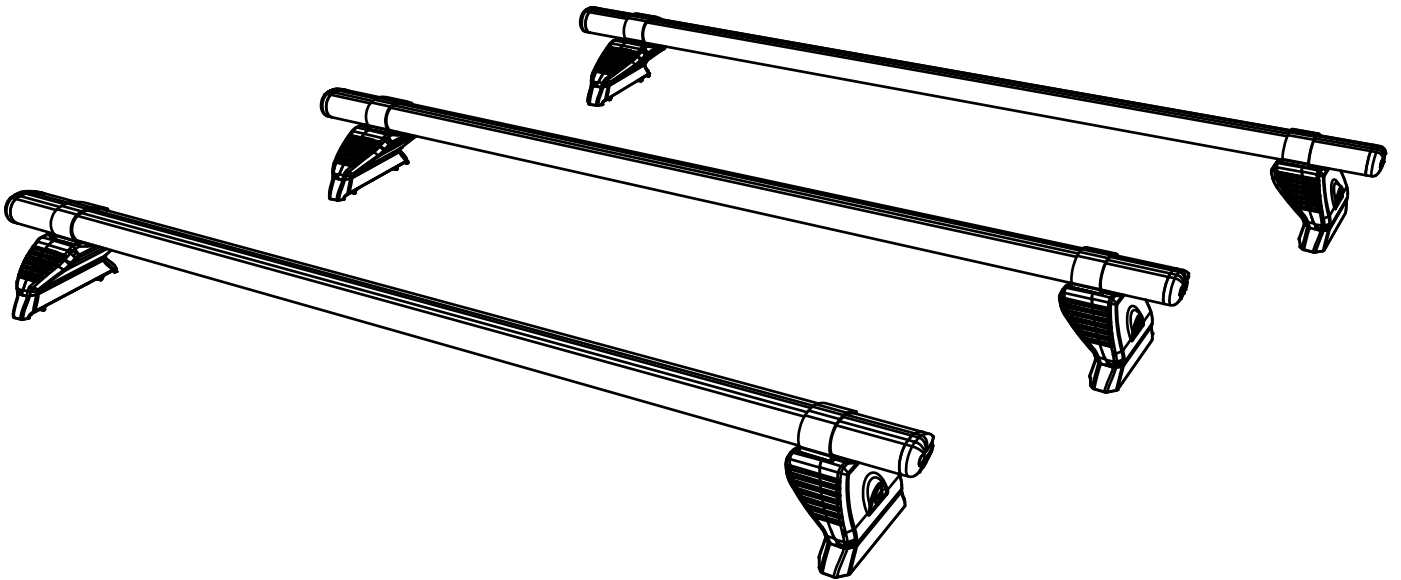
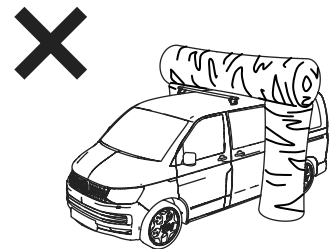
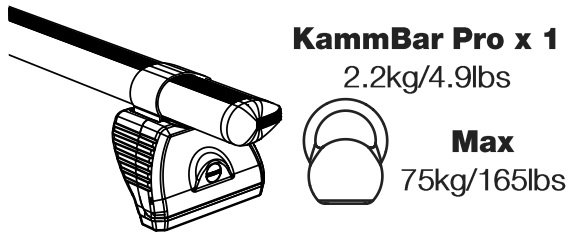


# IA3PR/FL KammBar Instructions

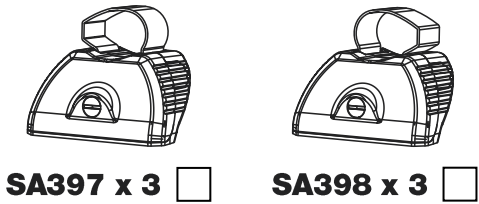
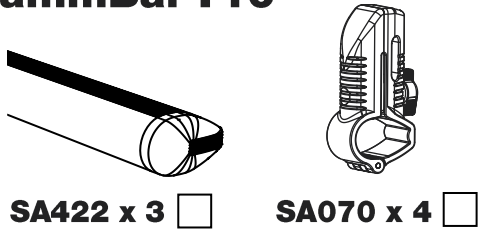


**CITY CRASH** (✓)

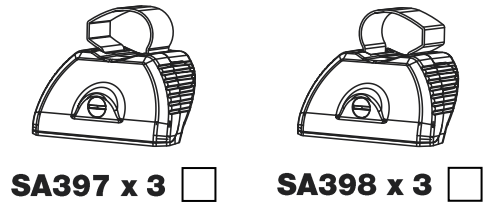
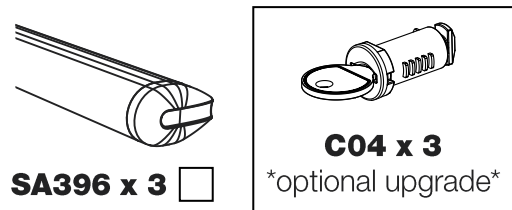
According to ISO/ PAS 11154:2006



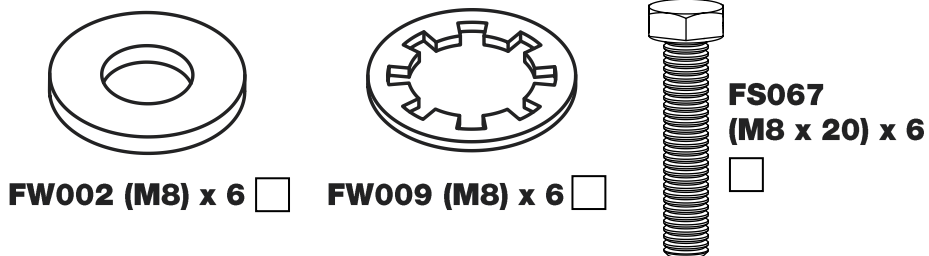
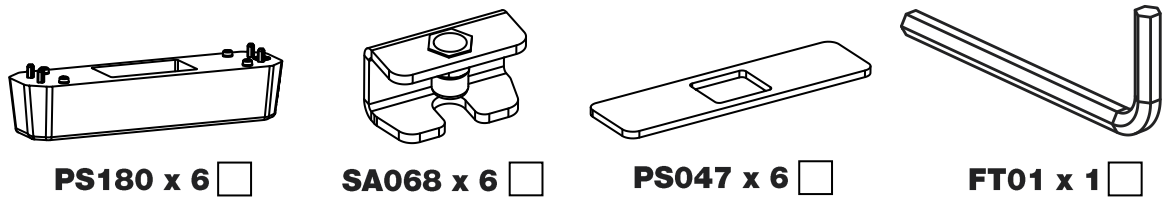
### KammBar Pro



### KammBar Fleet



### Fitting Kit



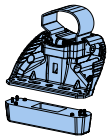
1.



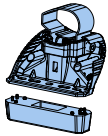
2.



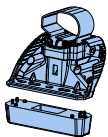
3.



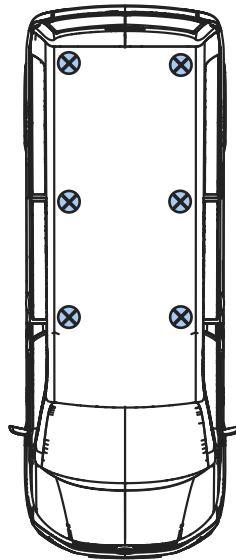
SA397  
PS180



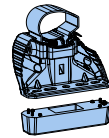
SA397  
PS180



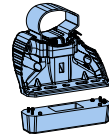
SA397  
PS180



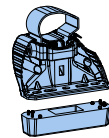
SA398  
PS180



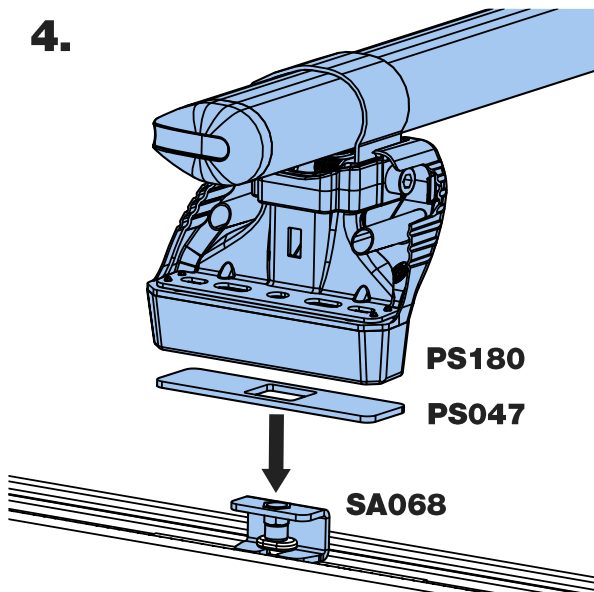
SA398  
PS180



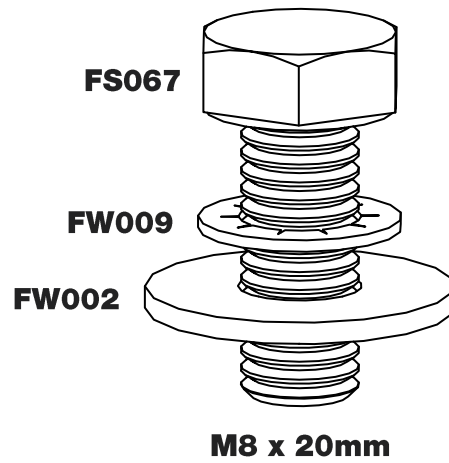
SA398  
PS180



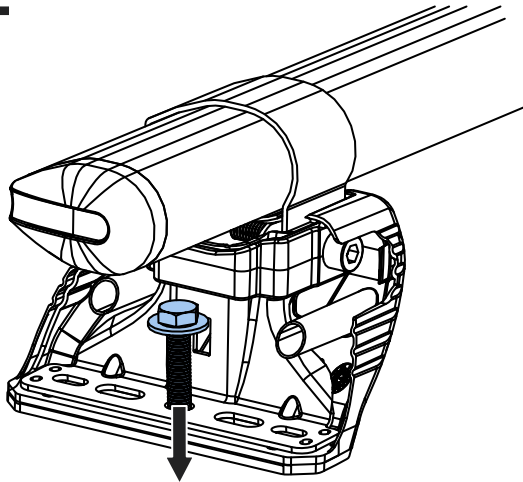
4.



5.

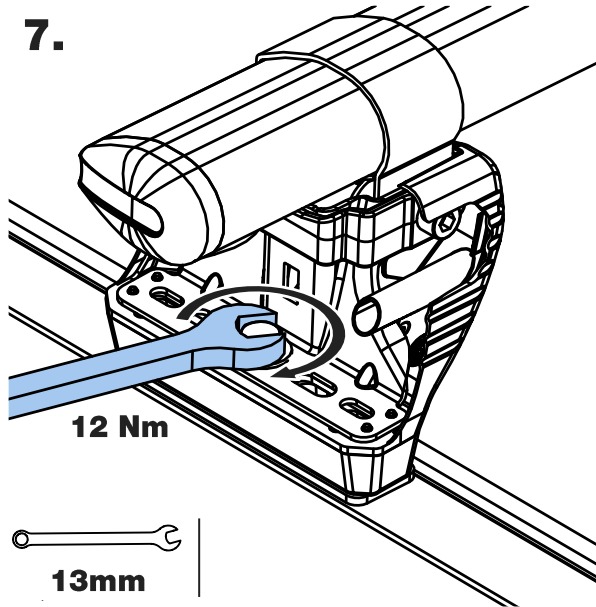


6.



PS180 + M8 x 20mm

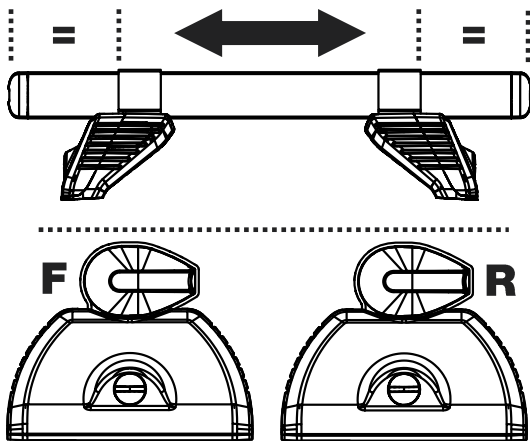
7.



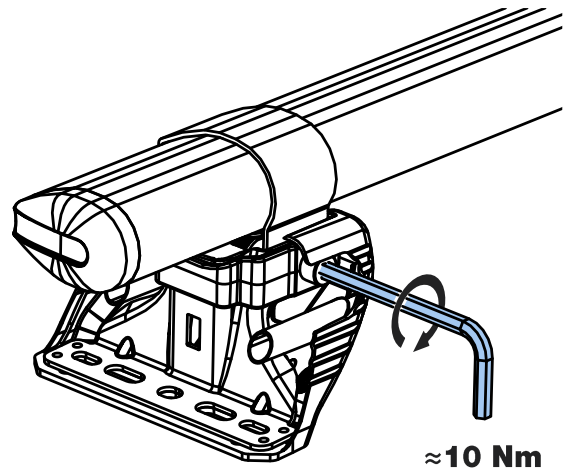
12 Nm

13mm

8.

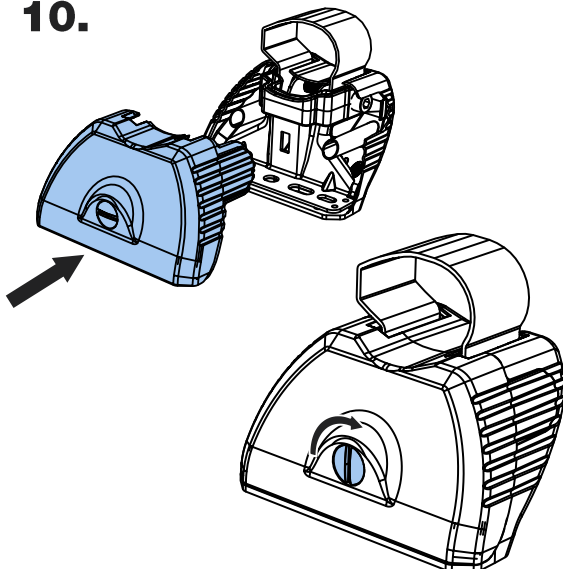


9.

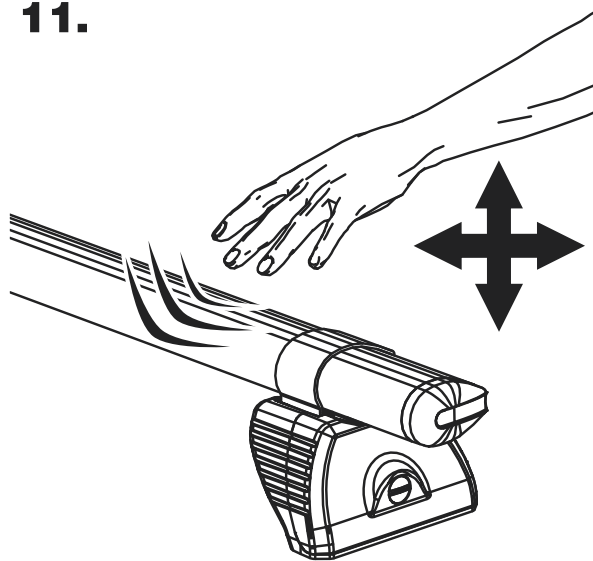


≈10 Nm

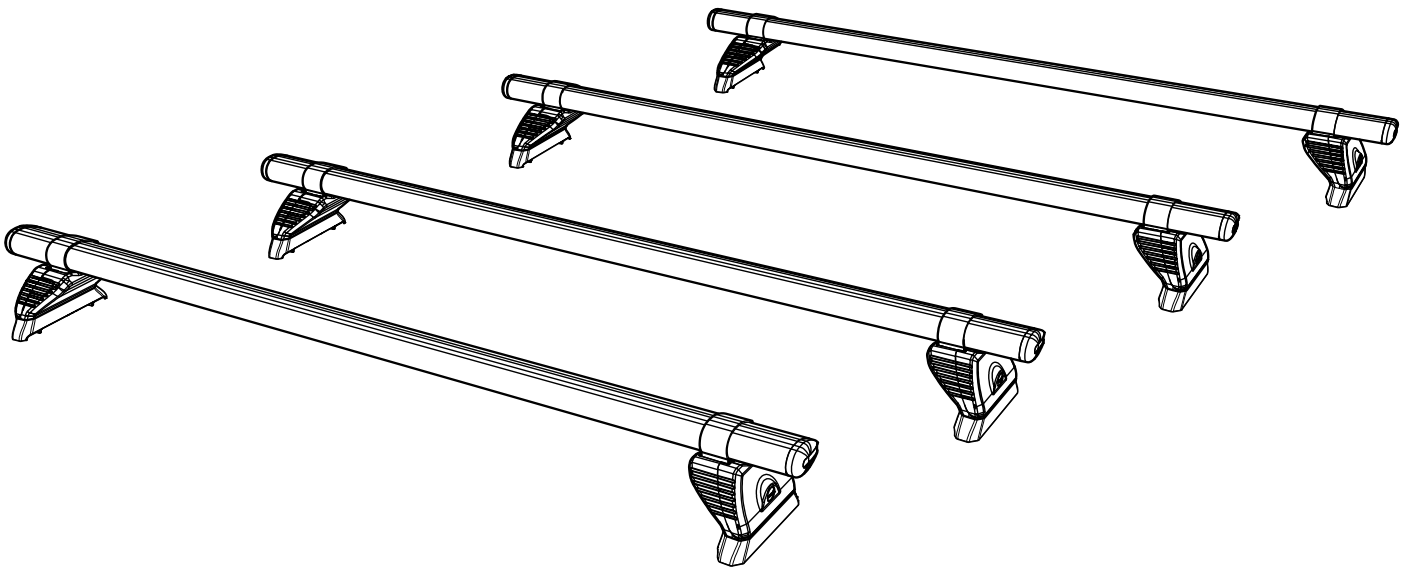
10.



11.

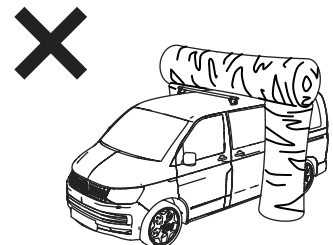
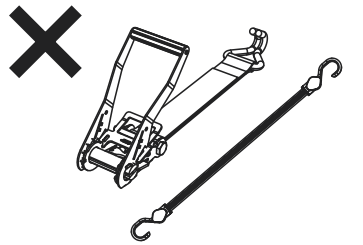
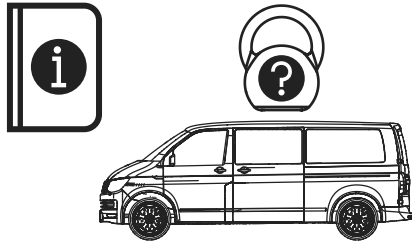
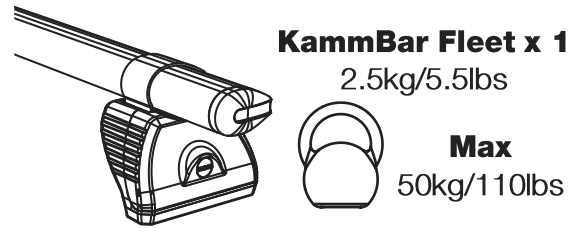
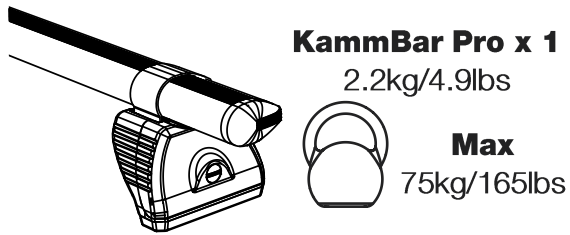


# IA4PR/FL KammBar Instructions

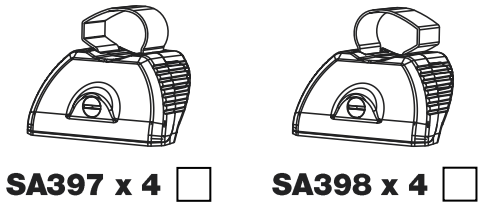
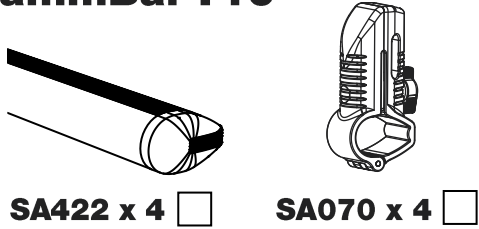


**CITY CRASH** (✓)

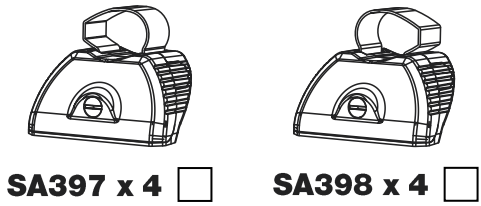
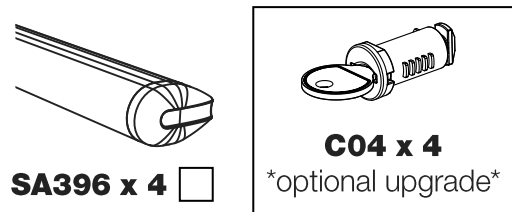
According to ISO/ PAS 11154:2006



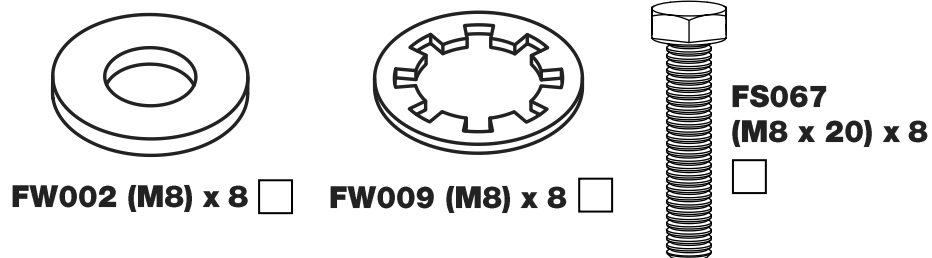
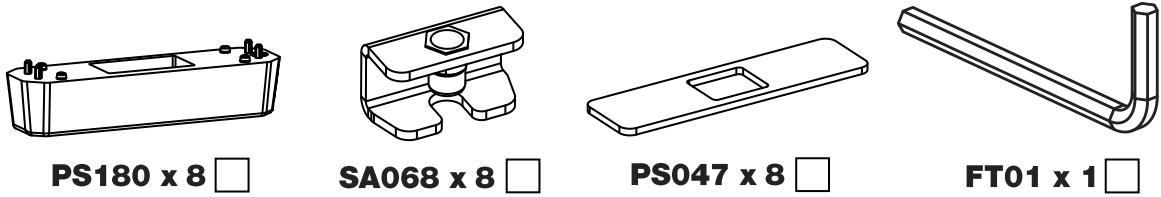
### KammBar Pro



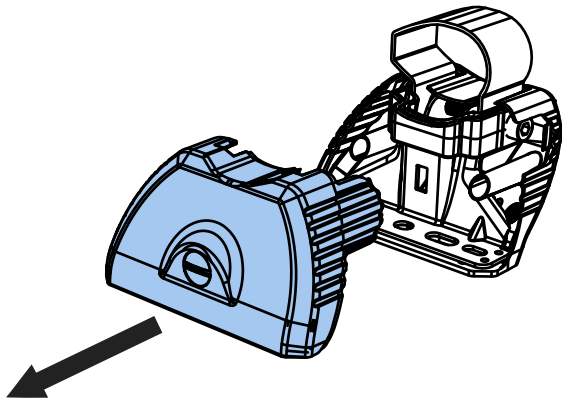
### KammBar Fleet



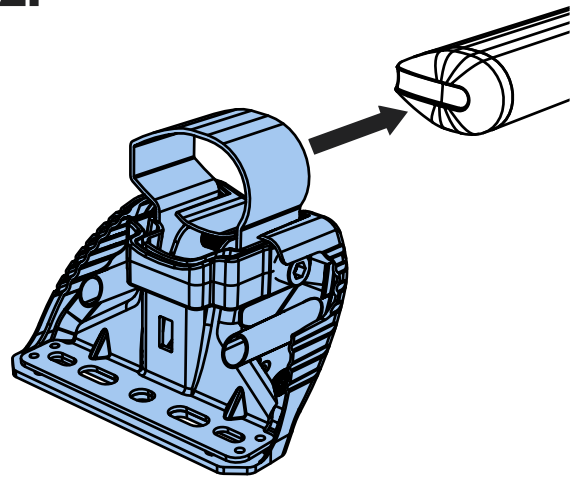
### Fitting Kit



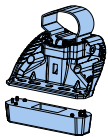
1.



2.

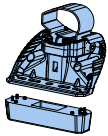


3.



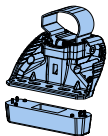
SA397

PS180



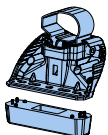
SA397

PS180



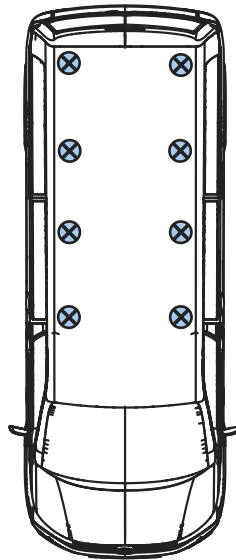
SA397

PS180



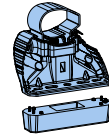
SA397

PS180



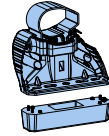
SA398

PS180



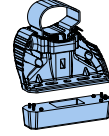
SA398

PS180



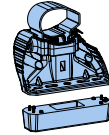
SA398

PS180

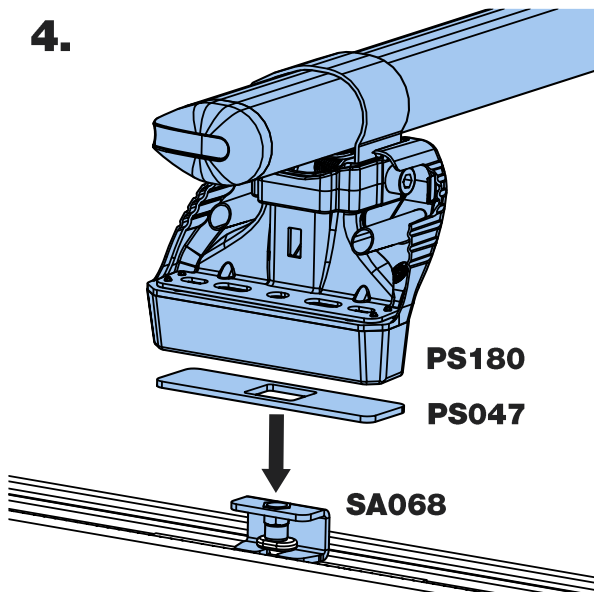


SA398

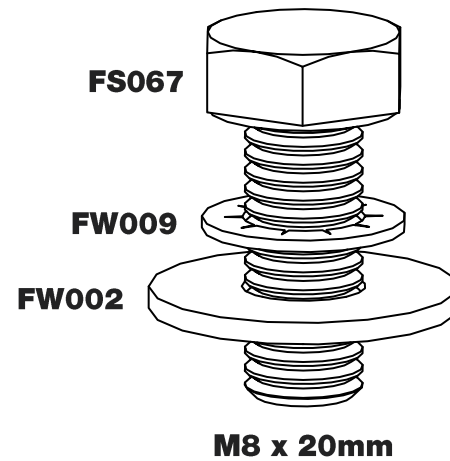
PS180



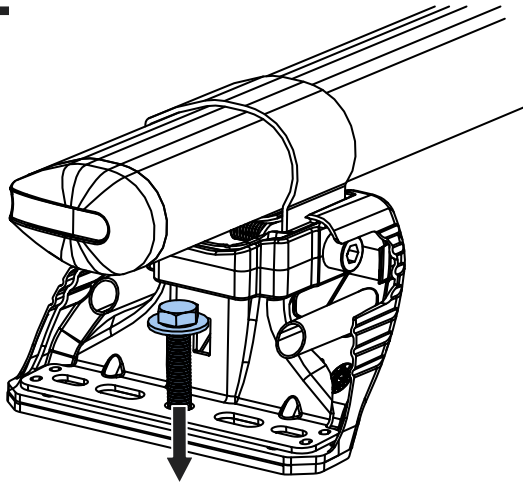
4.



5.

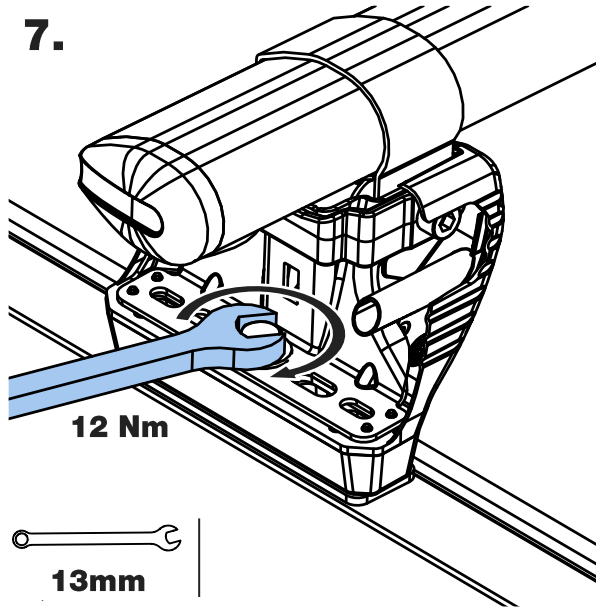


6.



PS180 + M8 x 20mm

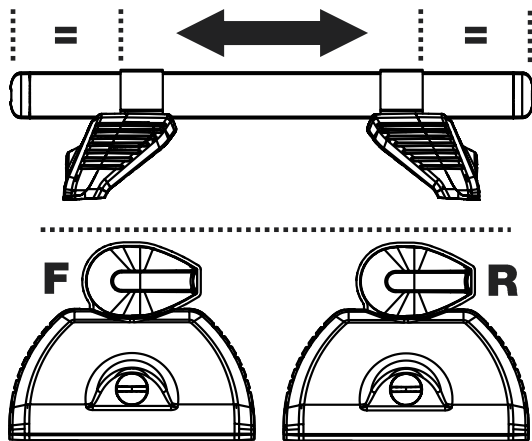
7.



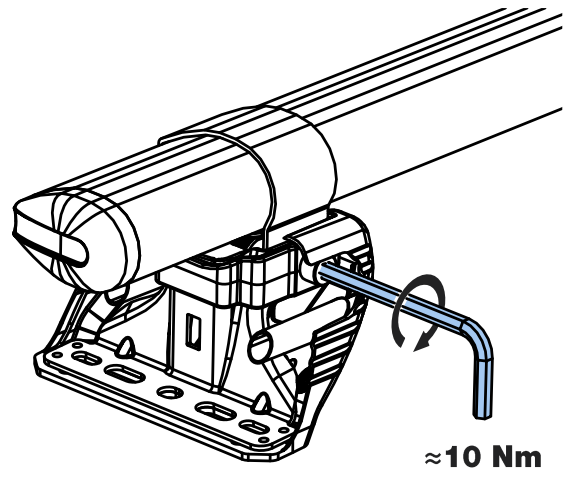
12 Nm



8.

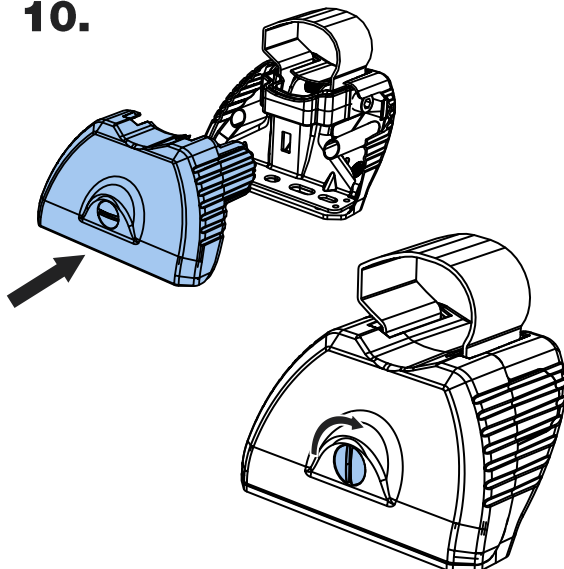


9.



≈10 Nm

10.



11.

